

outdoor



© PLANIKA | Ver. 08122015

Bubble Commerce outdoor

Bubble Commerce

*Perfect finish for your garden
Have a place to gather around*

FEATURES:

- Commerce* Technology
- Portable unit
- No smell / no ash / no smoke
- Intuitive control
- Easy installation
- No additional installation
- No additional ventilation required
- No chimney required
- For indoor / outdoor use
- Eco-friendly
- Certified

* Commerce Technology – Advanced technology which prevents fuel leakage due to absorbent ceramic fibres.

TECHNICAL DATA:

Capacity: 1,5 L / [US] 0,39 gal / [UK] 0,33 gal

Burning time: 3 - 7* h

Heat output: 2,5 kW / 8547 BTU

Net weight: 20 kg / 44 lbs

Air circulation: min. 1/h

Minimum room size:
52 m³ / 1836 ft³ (20 m² / 215 ft² with a height of 2,6 m / 8,53 ft)

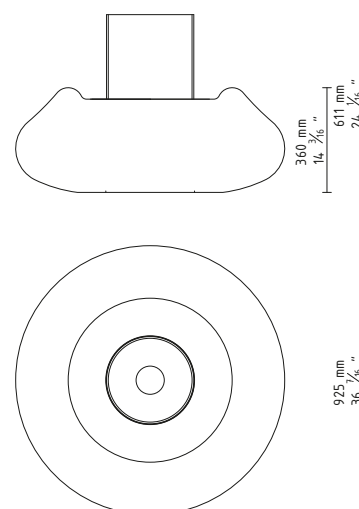
Finish:

CASING: fibreglass polyester laminate white gloss (RAL 9010), glass tube,
BURNER: stainless steel

* Burning time depends on the amount of fuel poured in



DIMENSIONS:



OUTDOOR INSTALLATION REQUIREMENTS:

