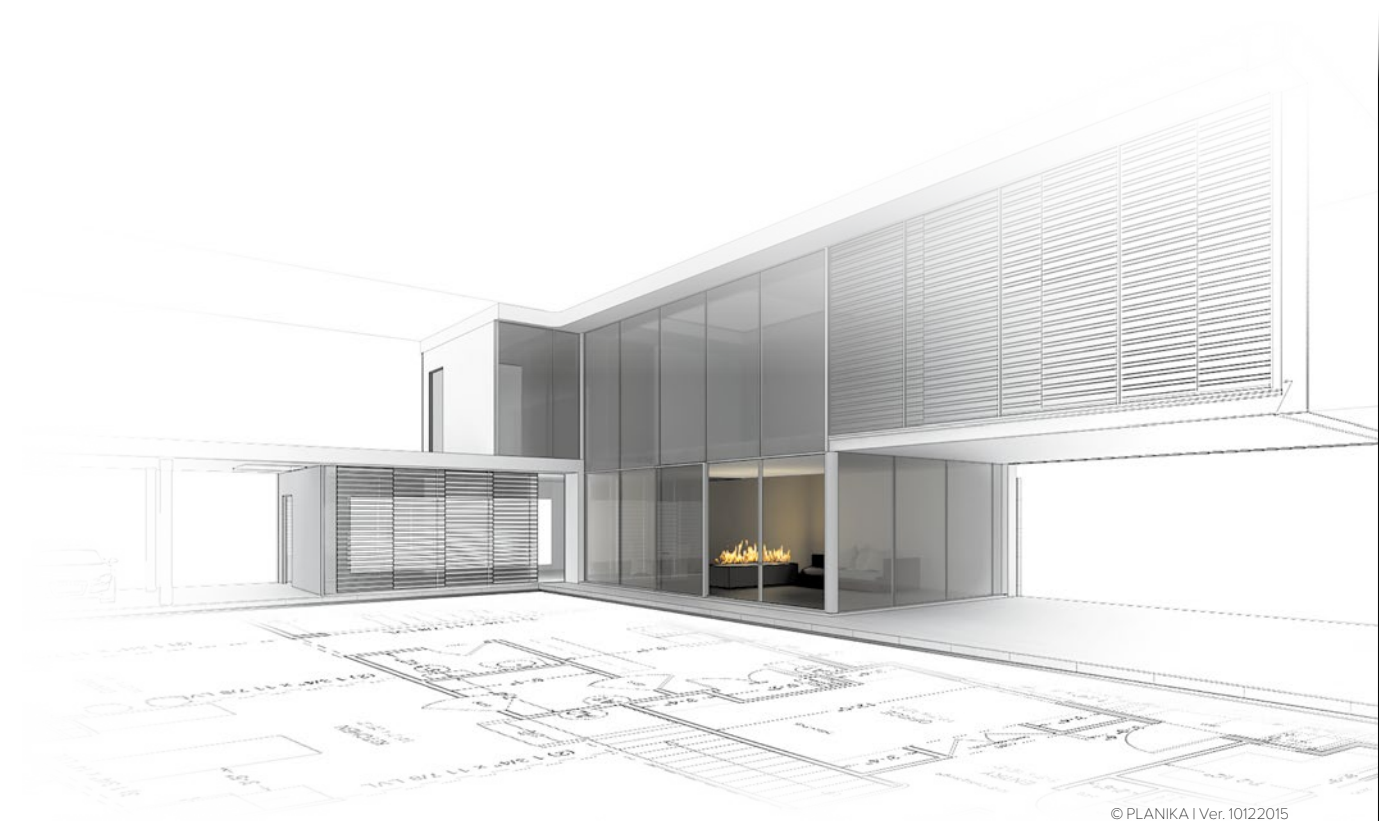


automaticinserts

intelligent fire



© PLANIKA | Ver. 10122015

automatic inserts

Fire Line Automatic XT

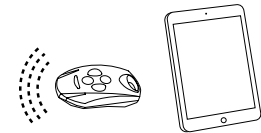
FLA XT

Because eXTernal means convenient
Low-maintenance fireplace

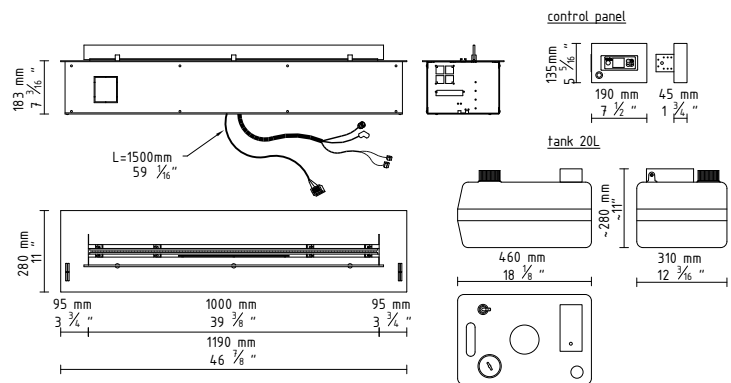


FEATURES:

- BEV* Technology
- Optional BOX XT (left and / or right module)
- External fuel tank
- No smell / no ash / no smoke
- WiFi (controlled with mobile devices)
- Remote controllable
- Smart Home Systems compatible
- Advanced safety sensors
- Fast Start
- Automatic shutdown in case of errors
- Child Lock
- Sleep timer
- Advanced microprocessor
- LCD display
- External control panel
- Intuitive control
- 6 levels of flame height
- Easy installation
- Bespoke sizes
- Possibility of joining modules
- No additional ventilation required
- No chimney required
- Electrical connection required
- For indoor use
- Eco-friendly
- Certified



DIMENSIONS:

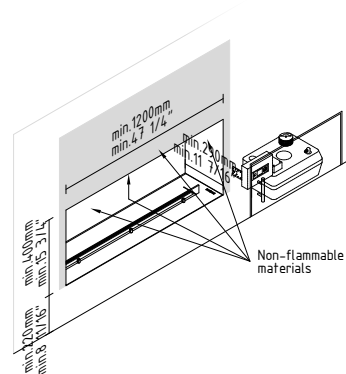


* BEV Technology – A patented process resulting in the clean burning of bio-ethanol fuel vapours.

TECHNICAL DATA:

Capacity: 20 L / [US] 5,28 gal / [UK] 4,4 gal
 Burning time: 13 - 33 h
 Heat output: 3,3 - 8,4 kW / 11398 - 28490 BTU
 Net weight: 28 kg / 62 lbs
 Air circulation: min. 1/h
 Minimum room size:
 178 m³ / 6286 ft³ (68 m² / 732 ft² with a height of 2,6 m / 8,53 ft)
 Power supply: 230 V / 115 V
 Finish:
 TOP: black powder coated steel,
 CASING: galvanized steel,
 GLASS SHIELD: tempered glass

INSTALLATION:



Fire Line Automatic XT automatic inserts

FLA XT

BESPOKE MODELS:

Planika ensures top service. To live up to our clients' requirements, we have provided the possibility to produce bespoke models, according to the client's expectations. Length of the bio fireplace is customizable.

INDOOR INSTALLATION REQUIREMENTS:



download **PRODUCT INSTRUCTION**